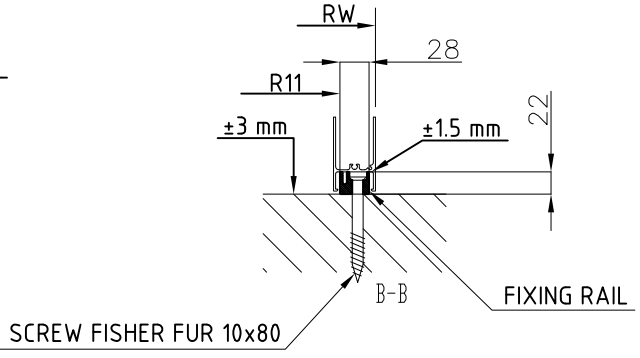
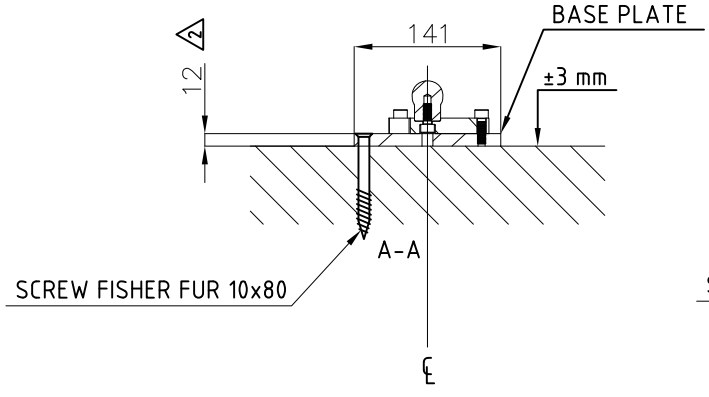
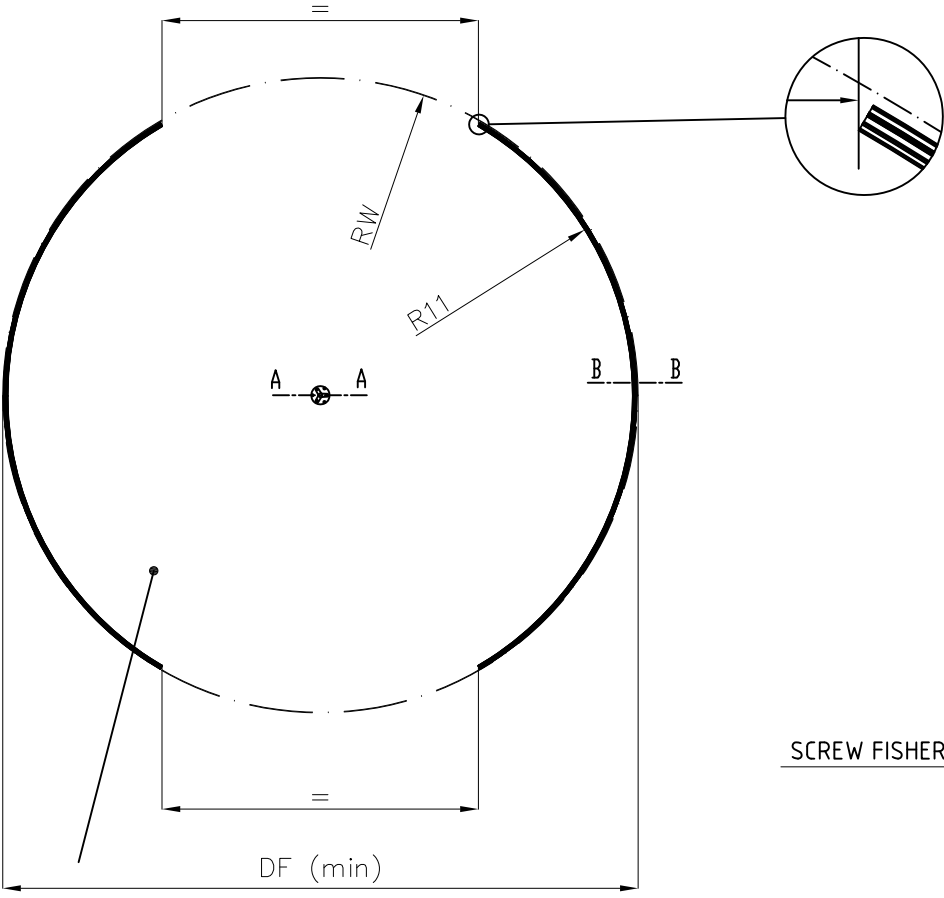


© All rights in and to this material are the sole property of ASSA ABLOY Entrance Systems AB. Copying, scanning, alterations or modifications are expressly forbidden without the prior written consent of the applicable company within ASSA ABLOY Entrance Systems AB. Rights reserved for changes without prior notice.



SIZE	-42	-48
DF	4290	4890
RW	2140	2440
R11	2106	2406
W1	956	1111
W2	417	478

W1 = Weight (kg) distributed over the fixing rail
W2 = Weight (kg) distributed over the base plate

FINISHED FLOOR WITH HARD, SMOOTH LEVEL SURFACE (±3mm)

RD3L
Floor preparation

besam
ASSA ABLOY

2 1005976