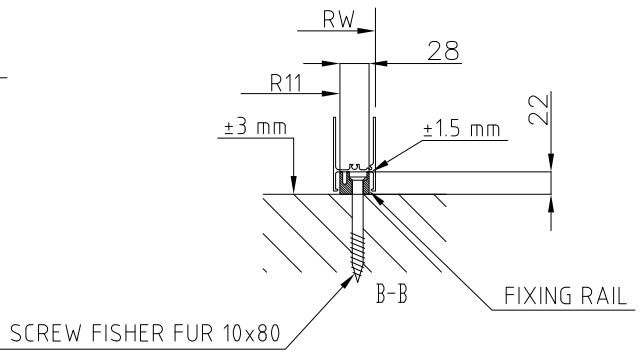
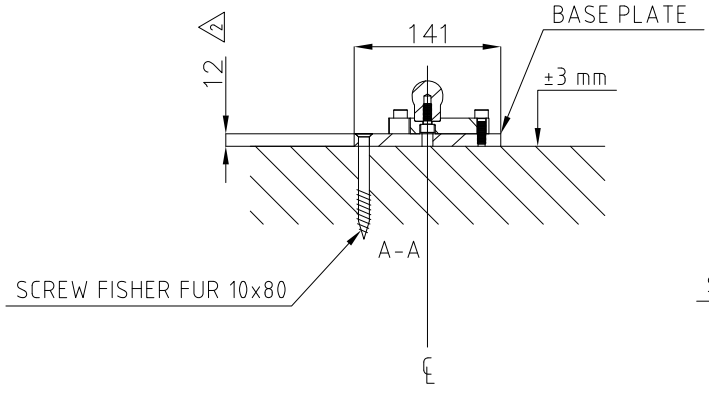
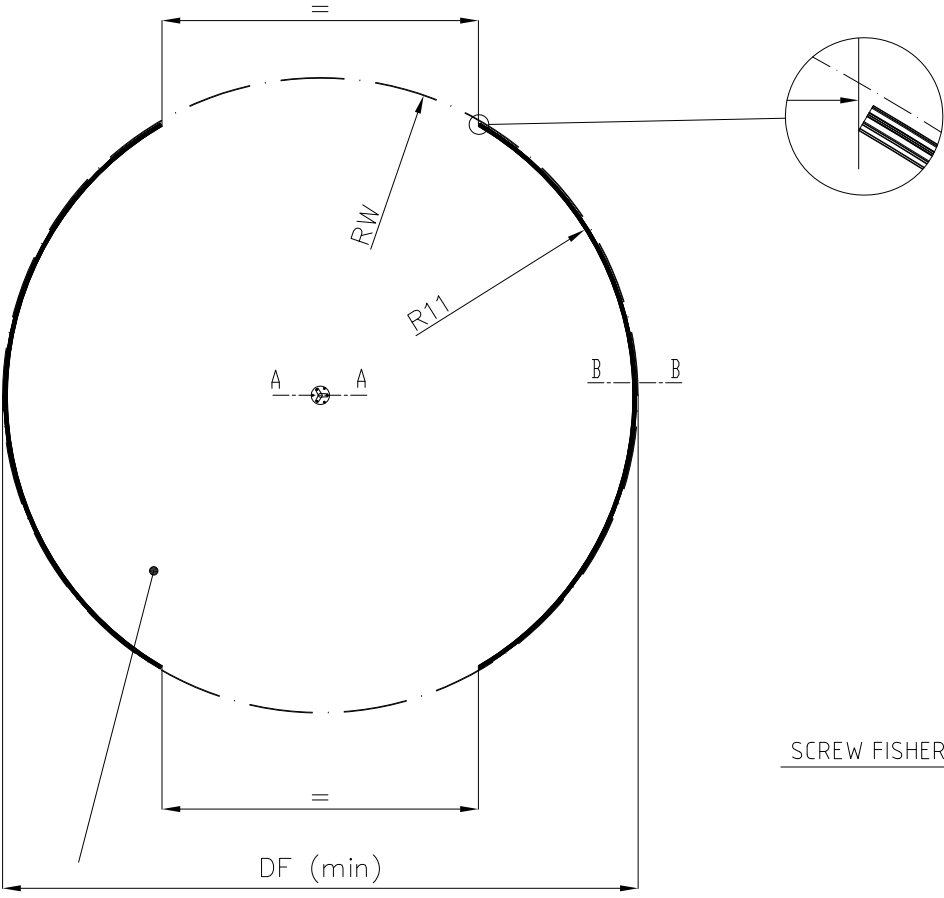


© All rights in and to this material are the sole property of ASSA ABLOY Entrance Systems AB. Copying, scanning, alterations or modifications are expressly forbidden without the prior written consent of the applicable company within ASSA ABLOY Entrance Systems AB. Rights reserved for changes without prior notice.



| SIZE | -54  | -62  |
|------|------|------|
| DF   | 5490 | 6290 |
| RW   | 2740 | 3140 |
| R11  | 2706 | 3106 |
| W1   | 1238 | 1416 |
| W2   | 543  | 680  |

W1 = Weight (kg) distributed over the fixing rail  
W2 = Weight (kg) distributed over the base plate

FINISHED FLOOR WITH HARD, SMOOTH LEVEL SURFACE (±3mm)

**RD3L**  
Floor preparation

**besam**  
ASSA ABLOY

2 1005978