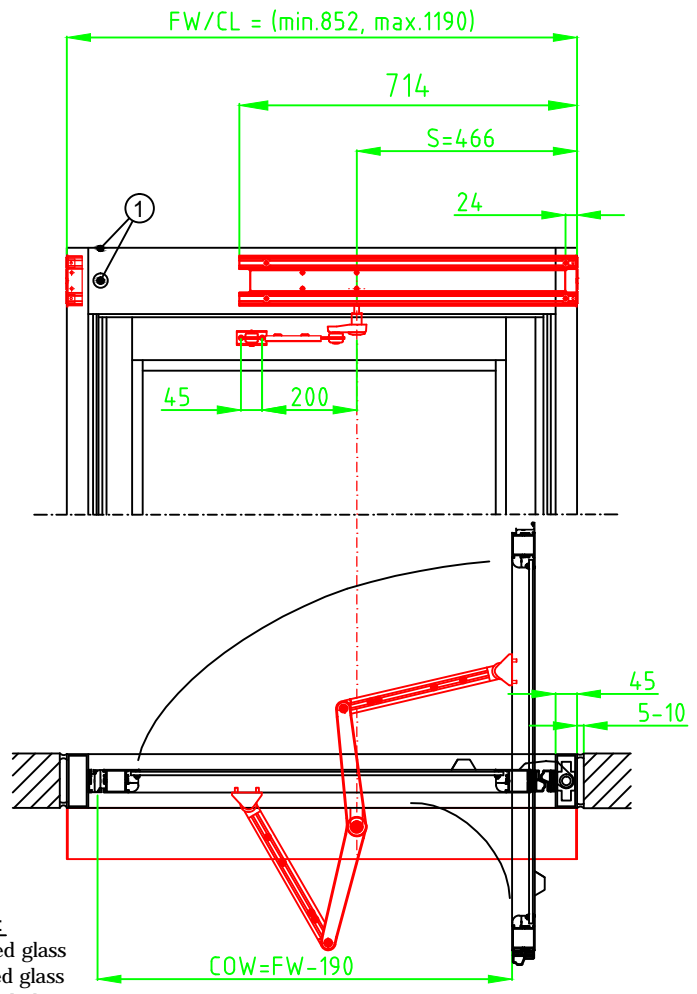
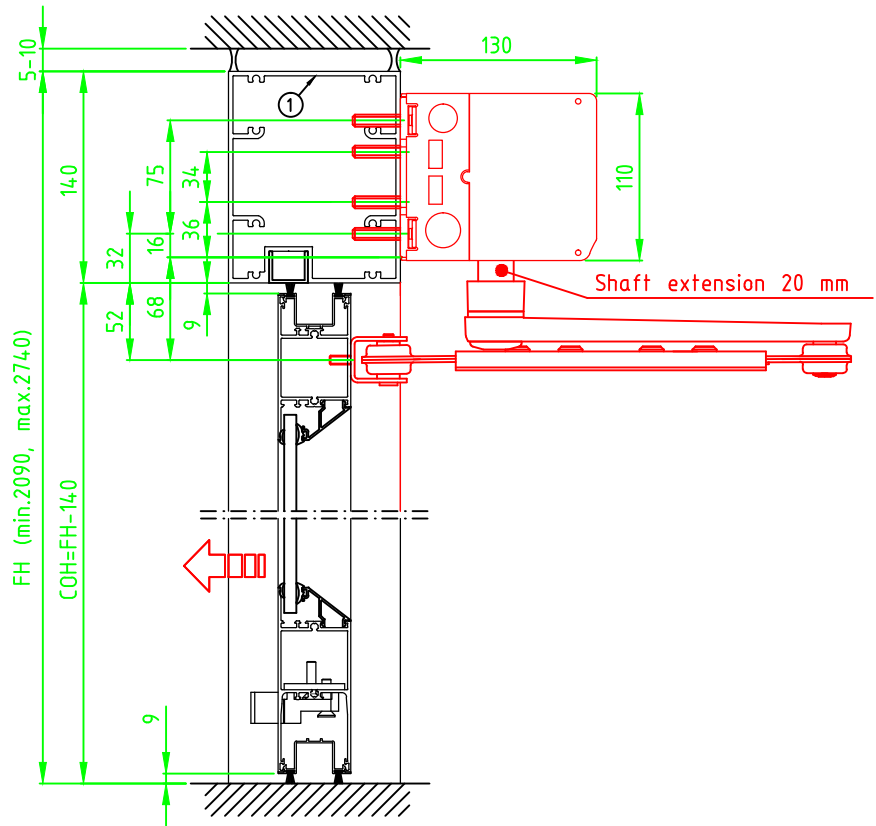


© All rights in and to this material are the sole property of ASSA ABLOY Entrance Systems AB. of the applicable company within ASSA ABLOY Entrance Systems AB. Rights reserved for changes without prior notice.
 Copying, scanning, alterations or modifications are expressly forbidden without the prior written consent.



STATE WHEN ORDERING

FW/CL = mm
 FH = mm
 COW = mm
 COH = mm

Surface treatment
 Silver anodized
 Special anodized
 RAL
 Special powder coating

- Options see layers:**
- Top rail 175
 - Midrail 70, MH = mm
 - Midrail 150, MH = mm
 - Bottom rail 201
 - Lock LELME
 - SW100, PUSH

SW100 to be installed as pulling

- Glass, see layers:**
- 6 mm laminated glass
 - 6 mm tempered glass
 - 8 mm laminated glass
 - 8 mm tempered glass
 - 22 mm insulated glass

① Cable inlet

Customer: _____

Door id: _____

Project No: _____

Ref: _____

Date: _____

Sign: _____

Balance door system BDS-L
Swing door operator Besam SW100
Arm system PUSH



4.0
1011810-EI