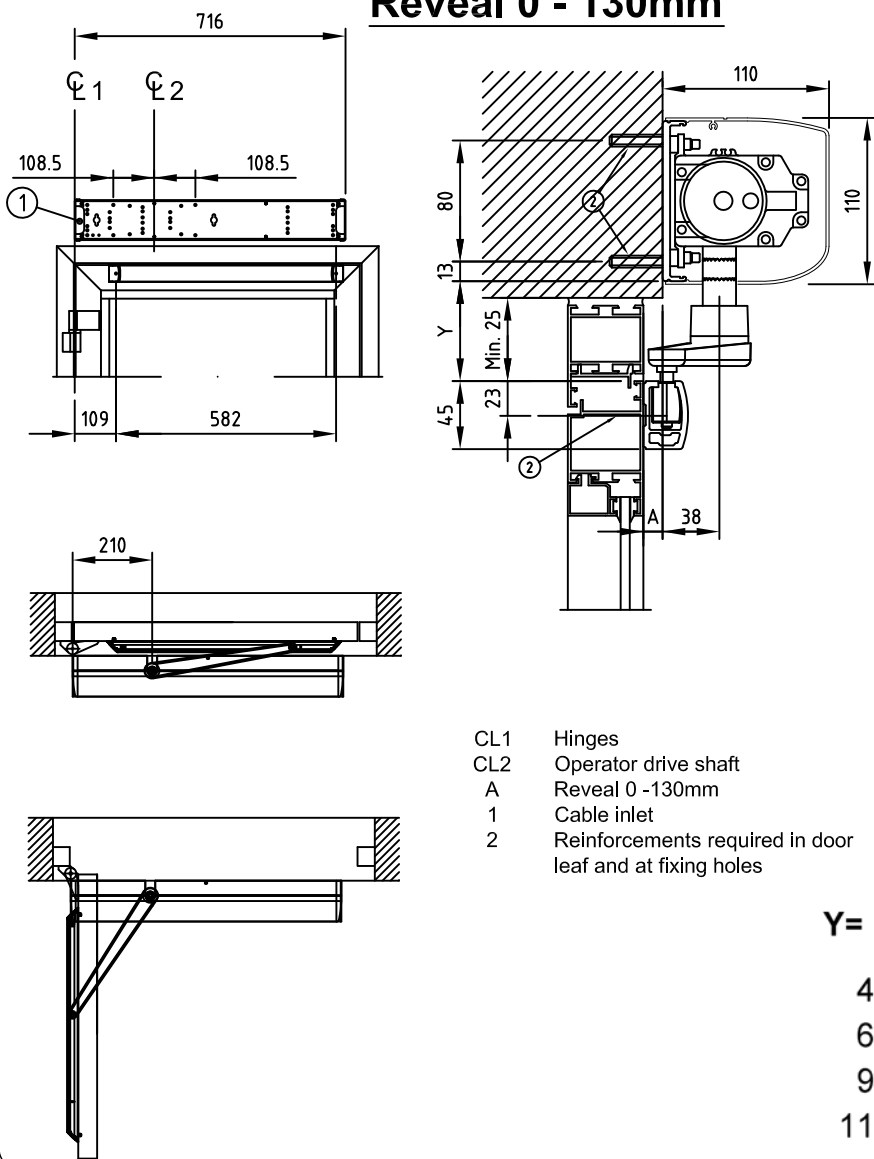


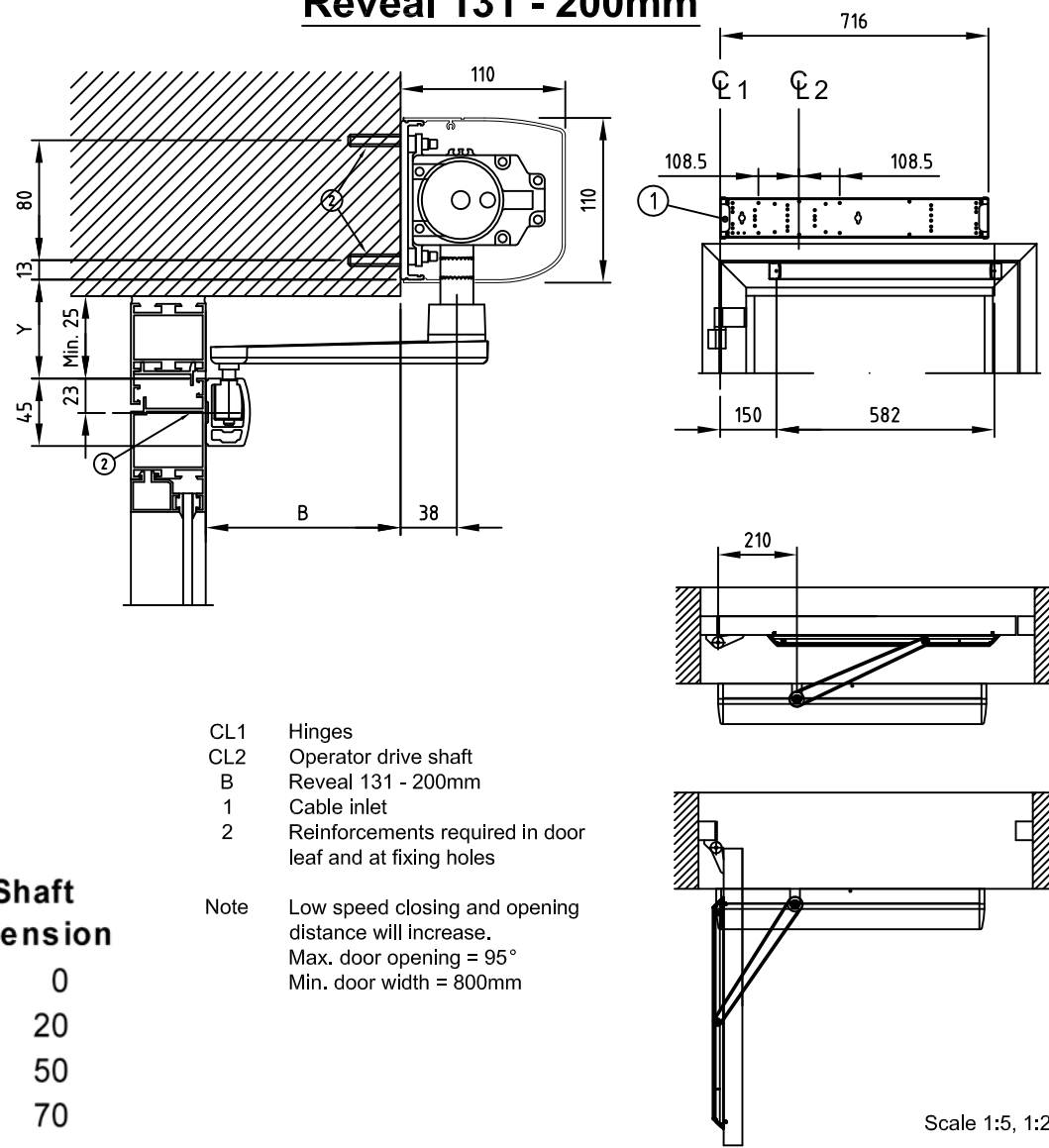
Reveal 0 - 130mm



- CL1 Hinges
- CL2 Operator drive shaft
- A Reveal 0 -130mm
- 1 Cable inlet
- 2 Reinforcements required in door leaf and at fixing holes

Y=	Shaft extension
46	0
66	20
96	50
116	70

Reveal 131 - 200mm



- CL1 Hinges
- CL2 Operator drive shaft
- B Reveal 131 - 200mm
- 1 Cable inlet
- 2 Reinforcements required in door leaf and at fixing holes

Note Low speed closing and opening distance will increase.
 Max. door opening = 95°
 Min. door width = 800mm

Scale 1:5, 1:20

Customer:

Ref:

Door id:

Date:

Project No:

Sign:

POWERSWING
Arm system PULL

Swing door operator

besam
ASSA ABLOY

6

173670