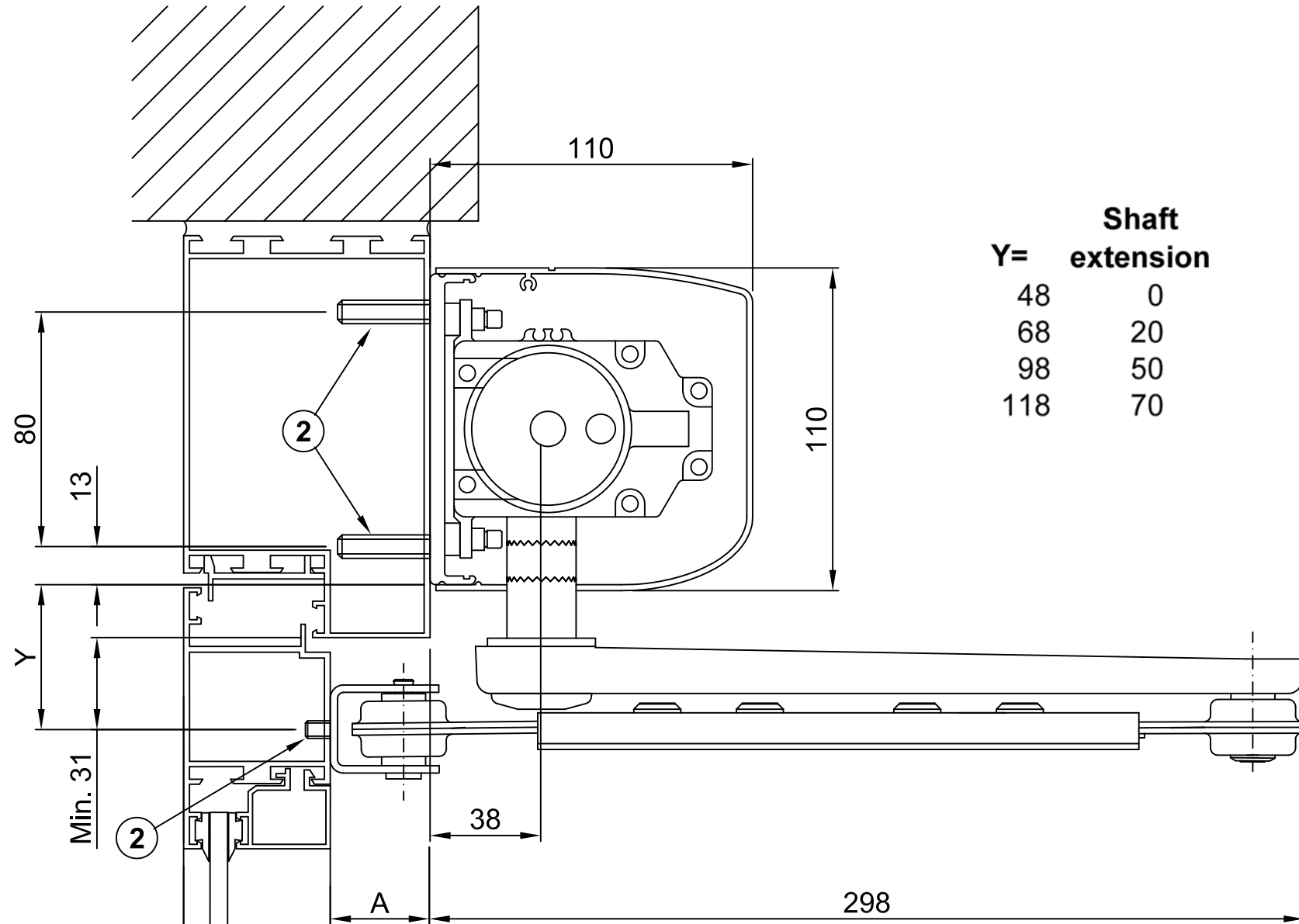


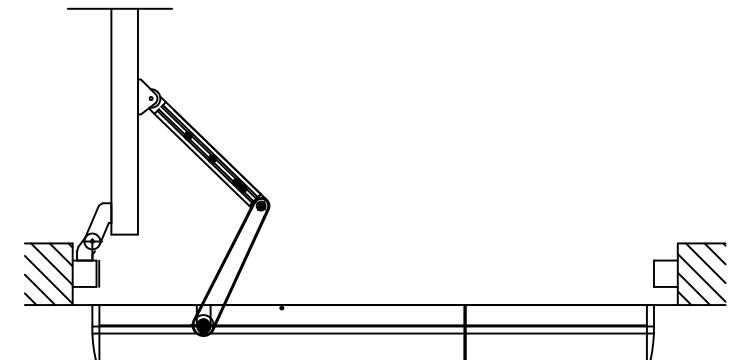
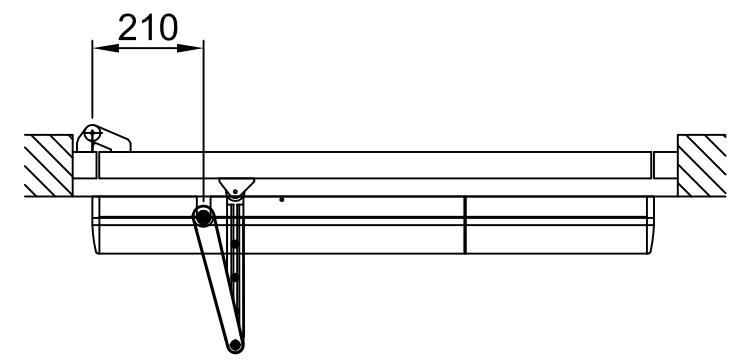
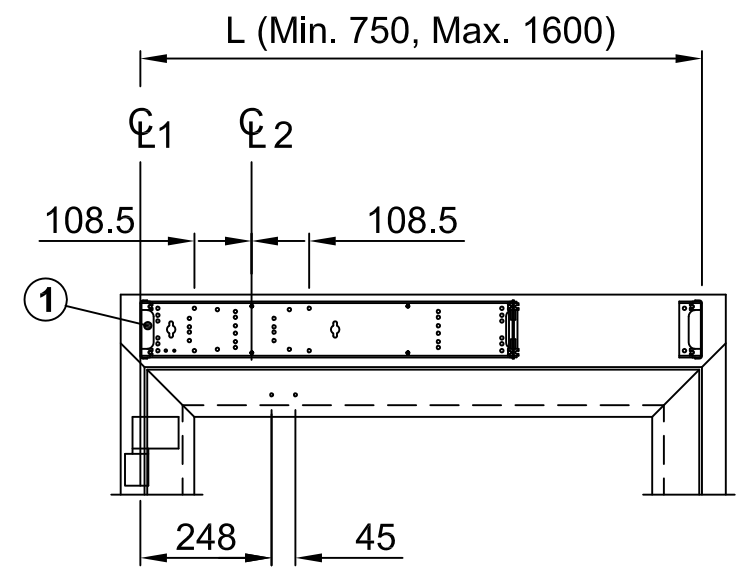
© All rights in and to this material are the sole property of ASSA ABLOY Entrance Systems AB. Rights reserved for changes without prior notice. Copying, scanning, alterations or modifications are expressly forbidden without the prior written consent of the applicable company within ASSA ABLOY Entrance Systems AB.



Y=	Shaft extension
48	0
68	20
98	50
118	70

- CL1 Hinges
- CL2 Operator drive shaft
- A Reveal max. 130mm
Optional max. 400mm
- 1 Cable inlet
- 2 Reinforcements required in door leaf and at fixing holes

Note! State L when ordering



Customer:	Ref:
Door id:	Date:
Project No:	Sign:

PowerSwing - Spec
Arm system PUSH
Modular cover
Swing door operator


ASSA ABLOY

4 173671