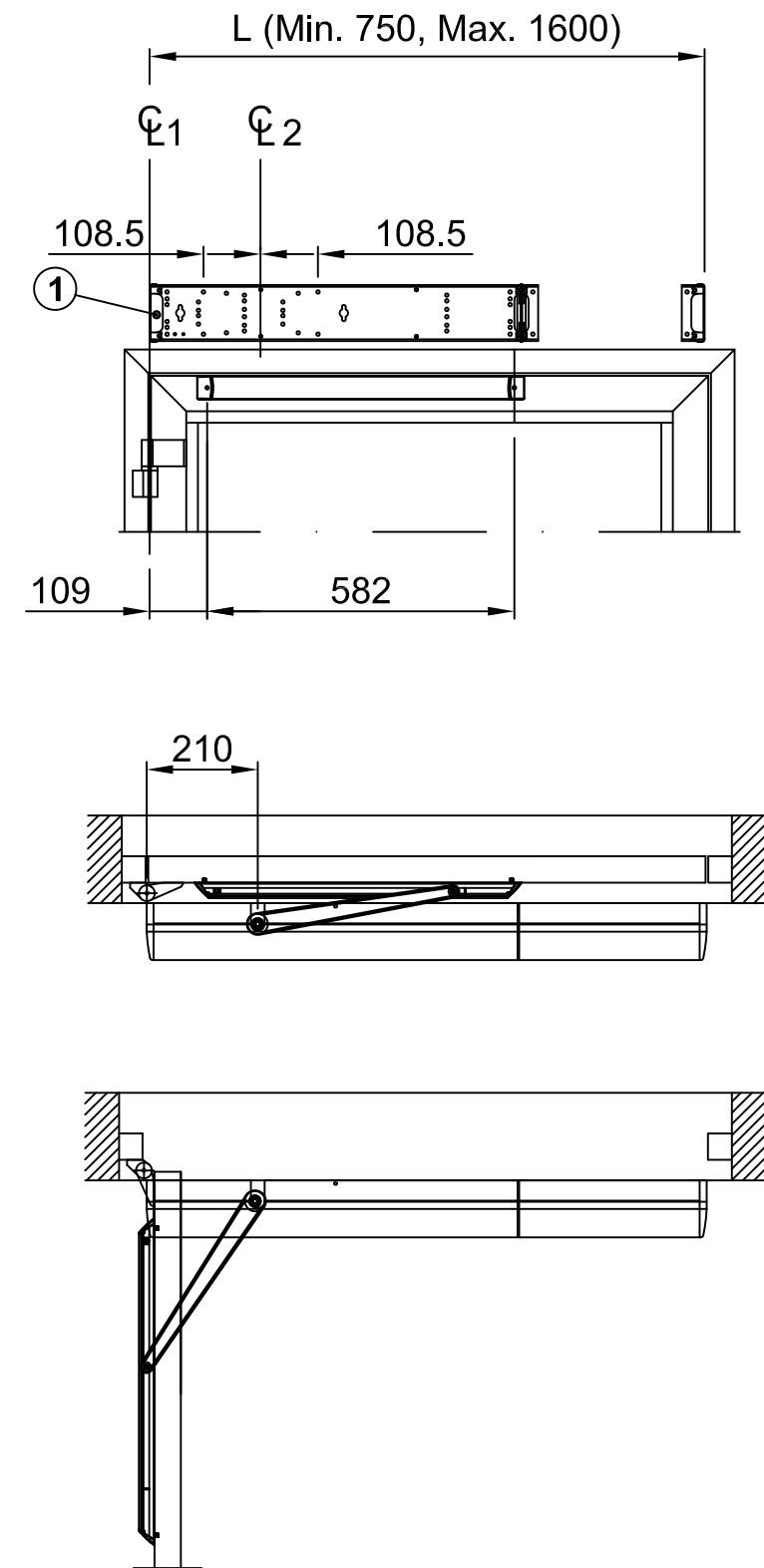


Y=	Shaft extension
46	0
66	20
96	50
116	70

- CL1 Hinges
- CL2 Operator drive shaft
- A Reveal max. 130mm
- 1 Cable inlet
- 2 Reinforcements required in door leaf and at fixing holes

Note! State L when ordering



Customer: _____

Door id: _____

Project No: _____

Ref: _____

Date: _____

Sign: _____

PowerSwing - Spec
Arm system PULL
Modular cover
Swing door operator

besam 
ASSA ABLOY

4 173672