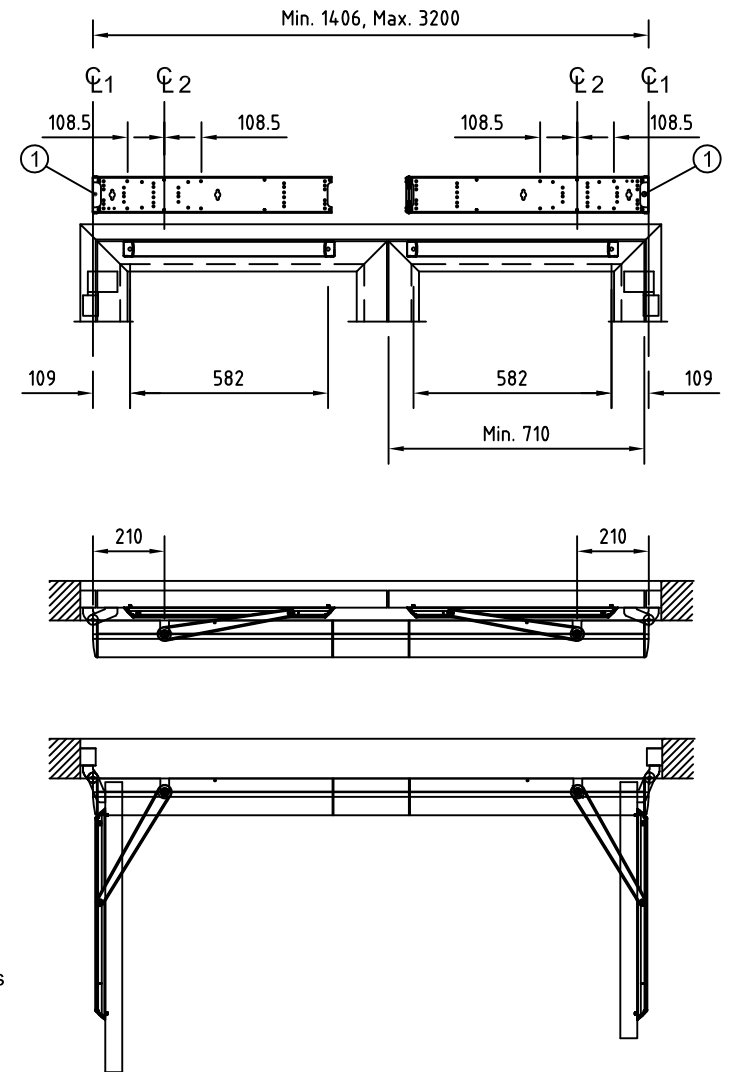


Y=	Shaft extension
46	0
66	20
96	50
116	70

- CL1 Hinges
- CL2 Operator drive shaft
- A Reveal max. 130mm
- 1 Cable inlet
- 2 Reinforcements required in door leaf and at fixing holes

Note! State L when ordering



Scale: 1:4

Customer:

Ref:

Door id:

Date:

Project No:

Sign:

PowerSwing - 2
Arm system Pull
Modular cover
Swing door operator



6

173674