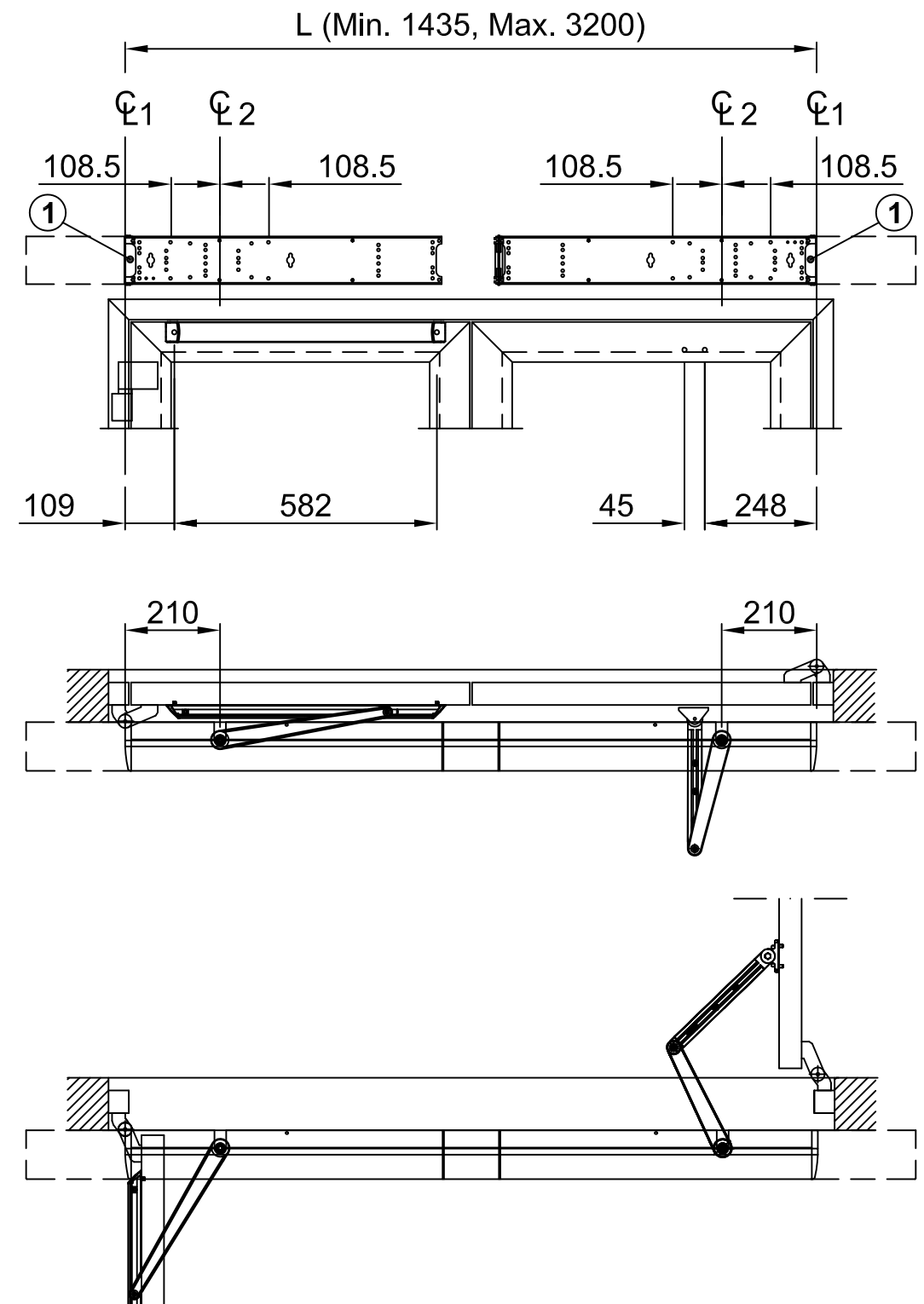


Y=	Shaft extension
46	0/50
66	20/70

- CL1 Hinges
- CL2 Operator drive shaft
- A Reveal max. 130mm
- 1 Cable inlet
- 2 Reinforcements required in door leaf and at fixing holes

Note! State L and LB when ordering



Customer: _____

Door id: _____


Project No: _____

Ref: _____

Date: _____

Sign: _____

PowerSwing - 2
Arm system PULL + PUSH
Modular cover
Swing door operator

besam 
ASSA ABLOY

4 173675