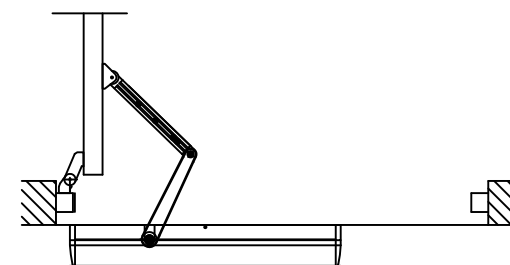
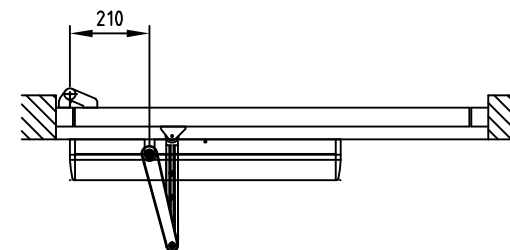
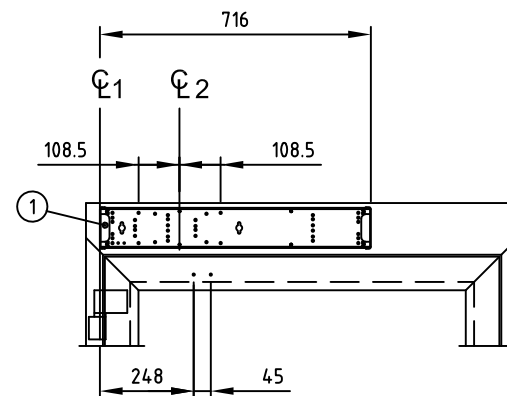


Y=	Shaft extension
48	0
68	20
98	50
118	70

- CL1 Hinges
- CL2 Operator drive shaft
- A Reveal max. 130mm  
Optional max. 400mm
- 1 Cable inlet
- 2 Reinforcements required in door leaf and at fixing holes



Customer:

Ref:

Door id:

Date:

Project No:

Sign:

**PowerSwing**  
**Arm system PUSH**

**Swing door operator**



5

173677