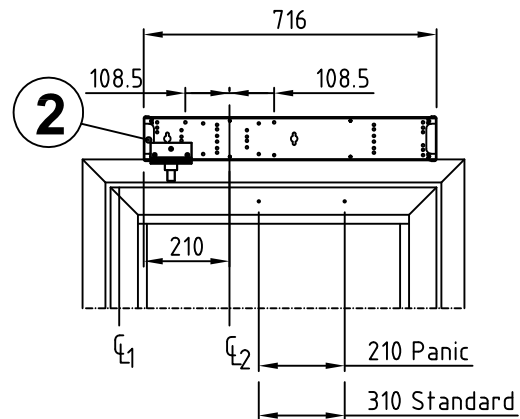
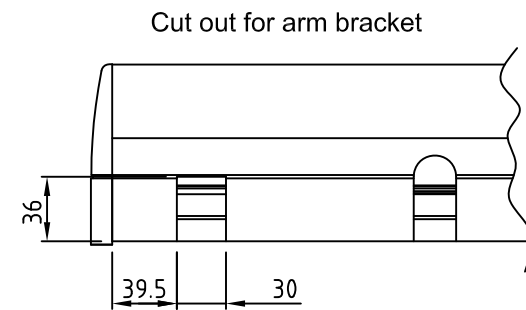


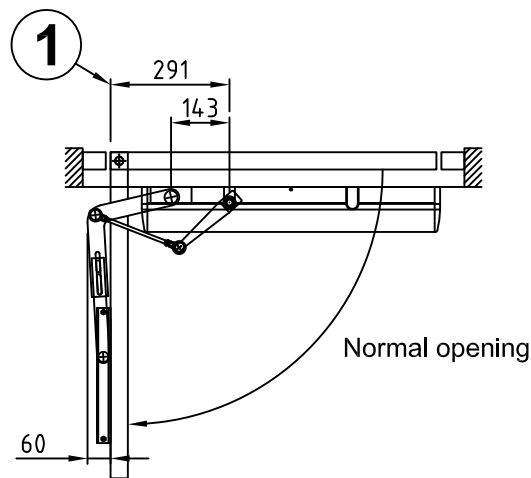
- CL1 Pivot or butt hinges
- CL2 Operator drive shaft
- A Standard max. reveal 100mm
- 1 Outside open door
- 2 Cable inlet
- 3 Reinforcements required in door leaf and at fixing holes



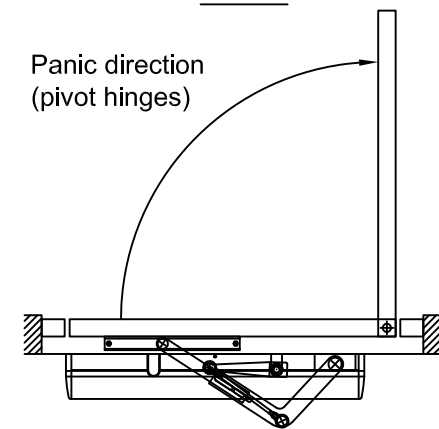
**ST-V**



**ST-H**



Normal opening



Panic direction (pivot hinges)

Customer:

Door id:

Project No:

Ref:

Date:

Sign:

**PowerSwing**  
**Arm system Slide-Track**  
**ST-V/ST-H**  
**Swing door operator**

**besam**  
**ASSA ABLOY**

5

173836