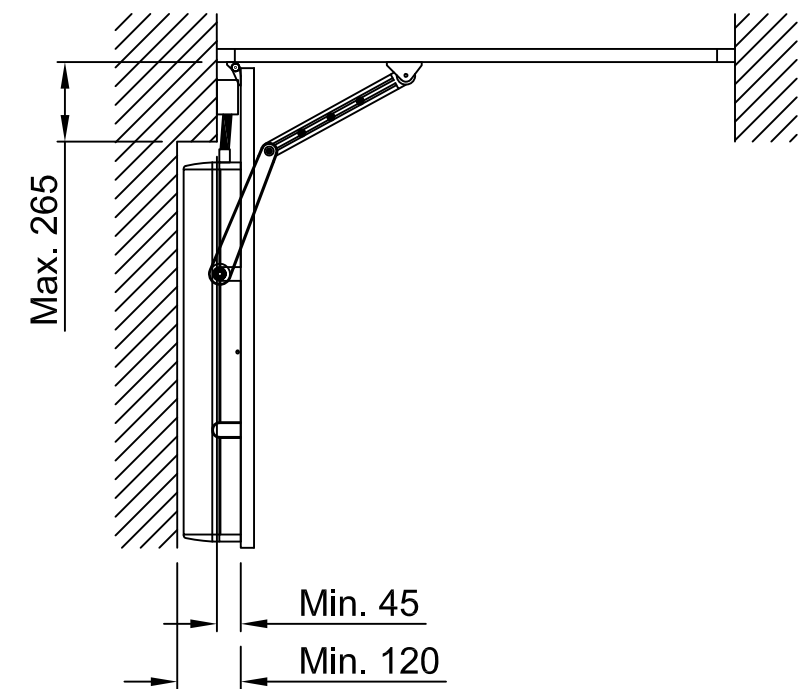
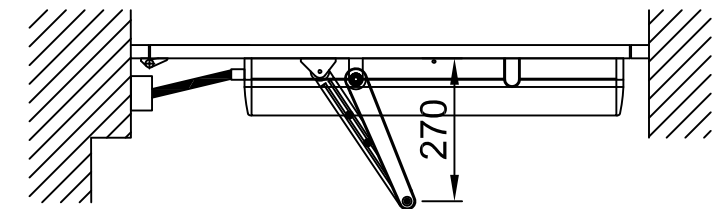


*/
Depending on door
width and wall thickness.
Min. door width 900mm.



- CL1 Hinges
- CL2 Operator drive shaft
- 1 Door mounting kit (option)
- 2 Reinforcements required in door leaf and at fixing holes

Customer:

Ref:

Door id:

Date:

Project No:

Sign:

PowerSwing
Arm system PUSH
Door mounted
Swing door operator

besam
ASSA ABLOY

2

173837