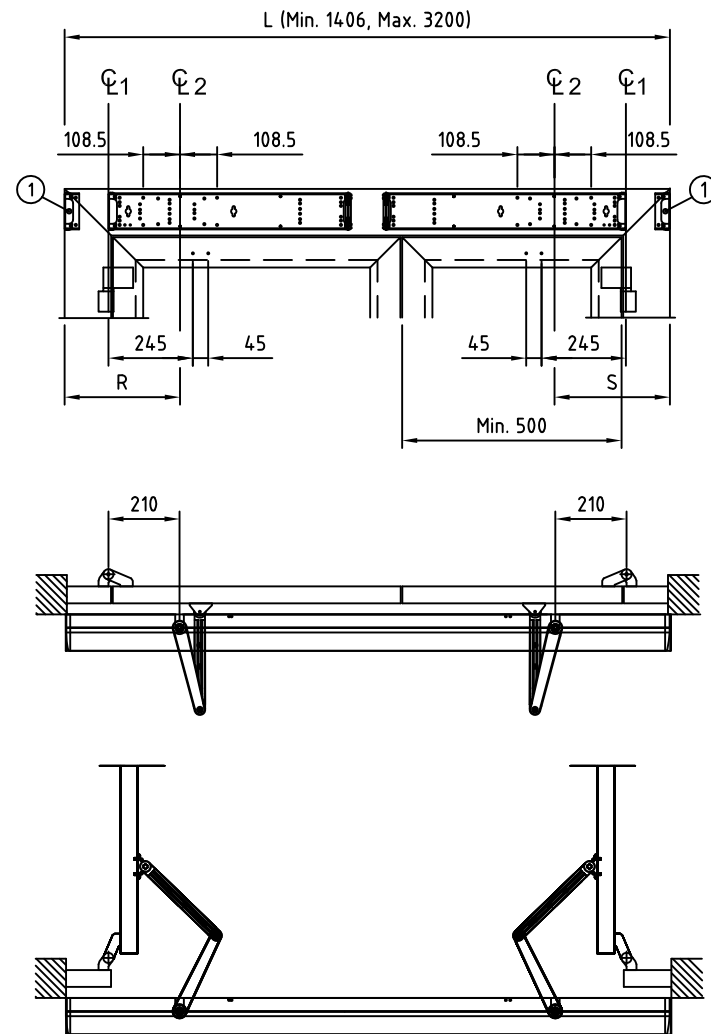


Y=	Shaft extension
48	0
68	20
98	50
118	70

- CL1 Hinges
- CL2 Operator drive shaft
- A Reveal max. 130mm  
Optional max. 400mm
- 1 Cable inlet
- 2 Reinforcements required in door leaf and at fixing holes

Note! State L, R and S when ordering



Scale: 1:4

Customer:

Ref:

Door id:

Date:

Project No:

Sign:

**PowerSwing - 2**  
**Full length cover**  
**Arm system PUSH**  
**Swing door operator**

**besam**  
**ASSA ABLOY**

5

173839