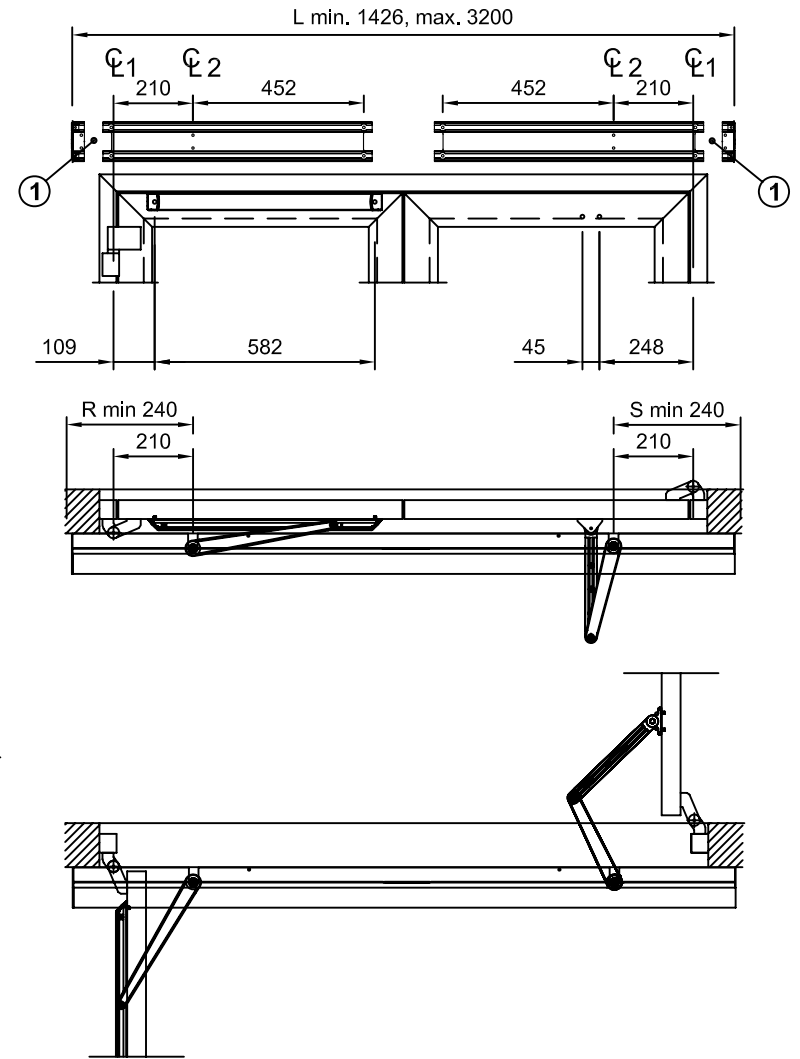
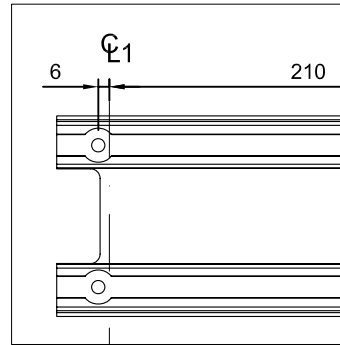


Y=	Shaft extension
48	0/50
68	20/70

- CL1 Hinges
- CL2 Operator drive shaft
- A Reveal max. 130mm
- 1 Cable inlet
- 2 Reinforcements required in door leaf and at fixing holes

Note! State L, R and S when ordering



SW100-2
Arm system PULL & PUSH

Swing door operator



1

1005191