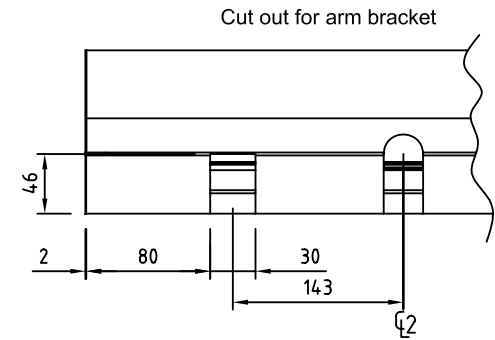
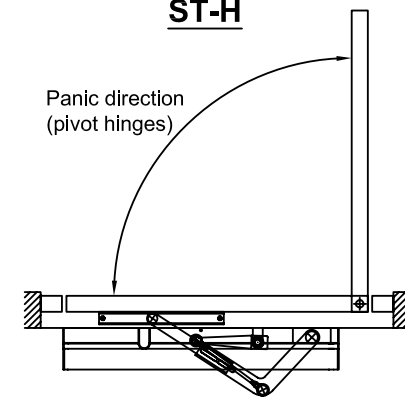
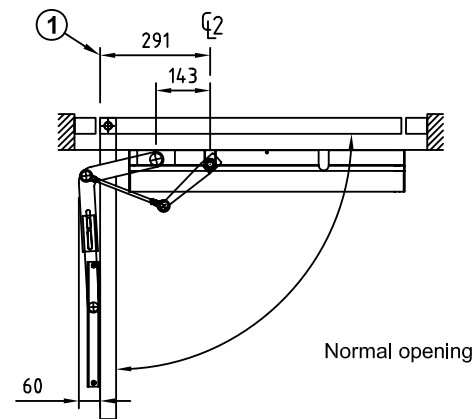


ST-V



ST-H



- CL1 Pivot or butt hinges
- CL2 Operator drive shaft
- A Standard max. reveal 100 mm
- 1 Outside open door
- 2 Cable inlet
- 3 Reinforcements required in door leaf and at fixing holes

SW100
Slide track arm system
ST-V / ST-H
Swing door operator



2 1005192