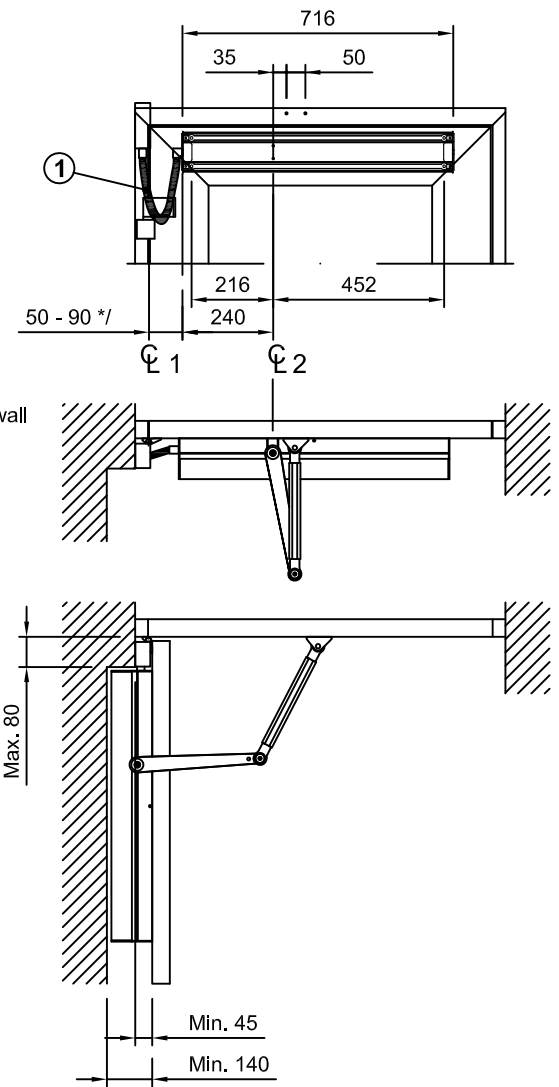


- ⌀ 1 Hinges
- ⌀ 2 Operator drive shaft
- 1 Door mounting kit (option)
- 2 Reinforcements required in door leaf and at fixing holes



*/ Depending on door width and wall thickness.
 Min. door width 800mm.

Customer:

Ref:

Door id:

Date:

Project No:

Sign:

**SW100 - Door mounted
Arm system PUSH-325**

Swing door operator



4

1005193