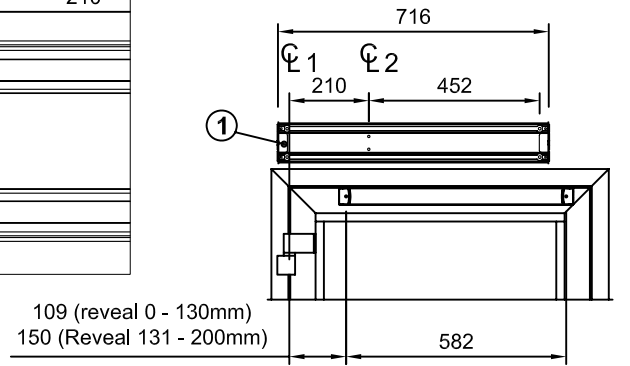
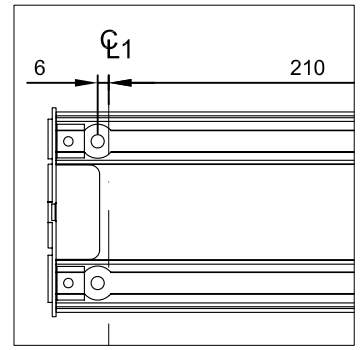
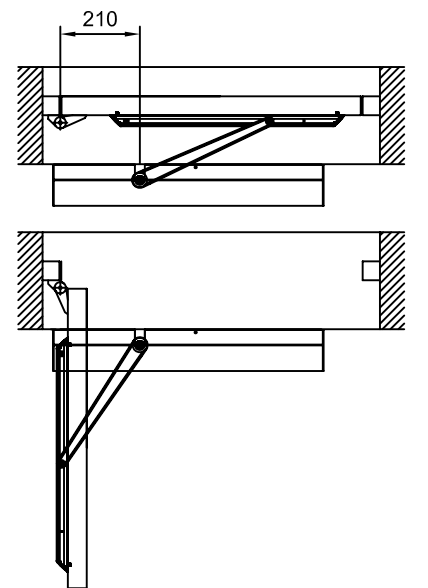


Y=	Shaft extension
48	0
68	20
98	50
118	70



109 (reveal 0 - 130mm)  
 150 (Reveal 131 - 200mm)



- CL1 Hinges
- CL2 Operator drive shaft
- A Reveal 0 -200mm
- Note! Low speed closing and opening distance will increase.  
 Max. door opening = 95°  
 Min. door width = 800mm
- 1 Cable inlet
- 2 Reinforcements required in door leaf and at fixing holes

**SW100**  
**Arm system PULL**  
**Swing door operator**

**besam**  
**ASSA ABLOY**

1 1005195