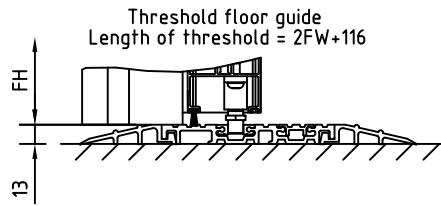
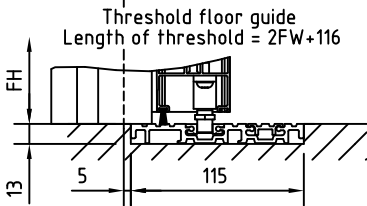
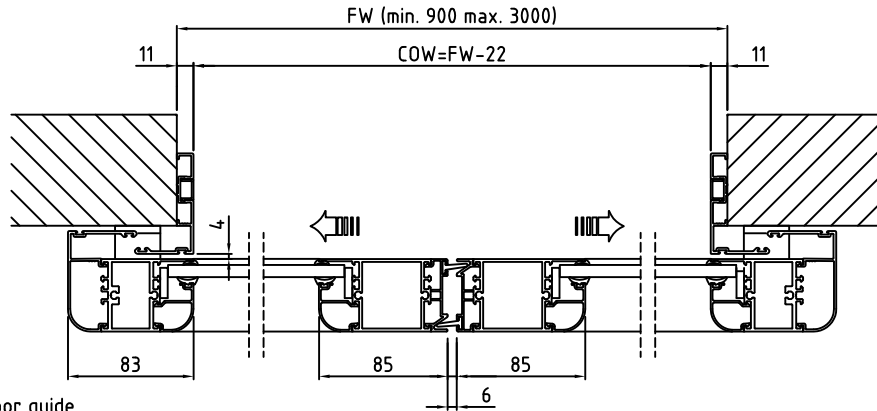
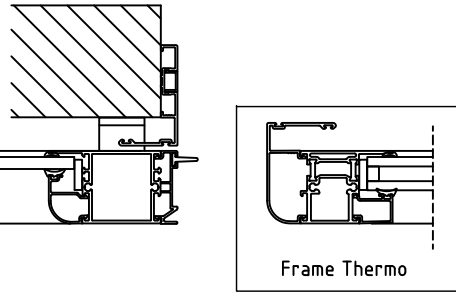
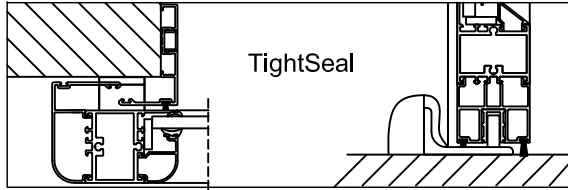
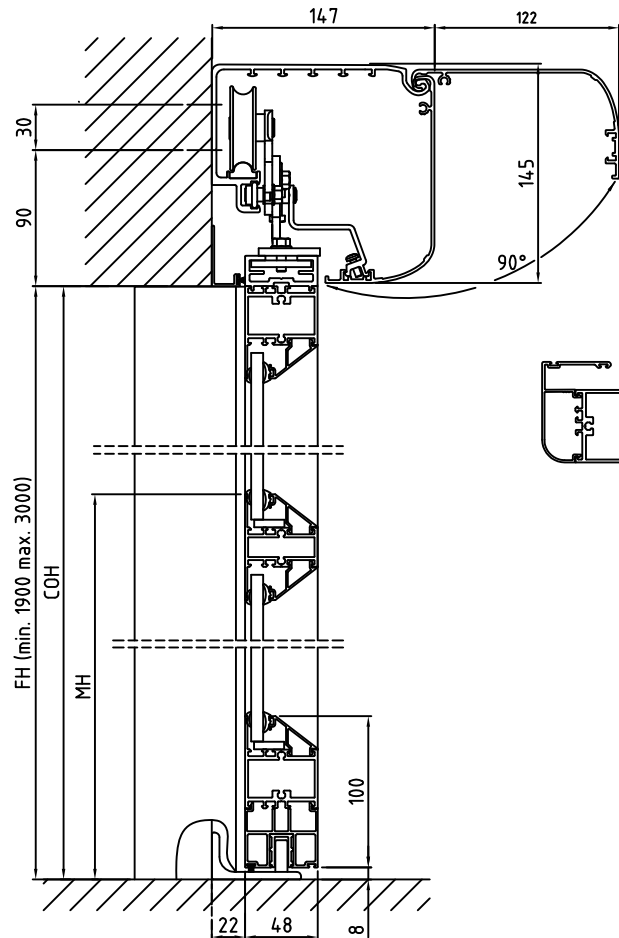


© All rights in and to this material are the sole property of ASSA ABLOY Entrance Systems AB. Rights reserved for changes without prior notice. Copying, scanning, alterations or modifications are expressly forbidden without the prior written consent of the applicable company within ASSA ABLOY Entrance Systems AB.



State when ordering

- FW=.....mm
 - FH=.....mm
 - COW=.....mm
 - COH=.....mm
 - CL=.....mm
 - Midrail 70
 - Midrail 150
 - MH=.....mm
 - Bottom rail 178
 - TightSeal
- If TightSeal, the floor must be level and not differ more than ± 3 mm

Profile type

- Frame
- Frame Thermo

Surface treatment

- Silver anodized
- Special anodized.....
- RAL.....
- Special powder coating.....
-

Glass option see drw. 1009026

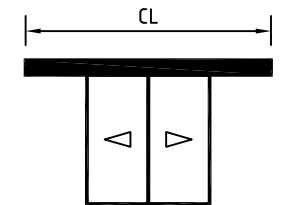
State glass code:

-
- If 8 mm glass FW max. 2850 when FH=max.
- If 22 mm glass FW max. 2000 when FH=max.
- If 40 mm glass FW max. 1550 when FH=max.



Installation

- Floor heating
- Other



Scale 1:5

Customer:

Ref:

Door id:

Date:

Project No:

Sign:

ADS Automatic door system
Frame UniSlide
2 Panel wall mounted
Article No. 800058



7

832965