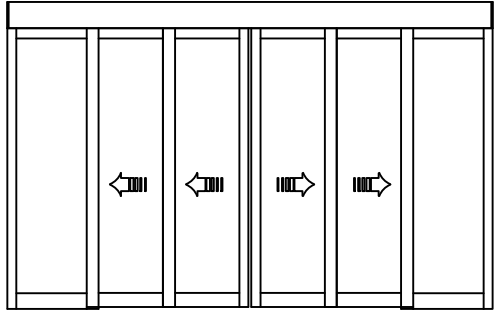
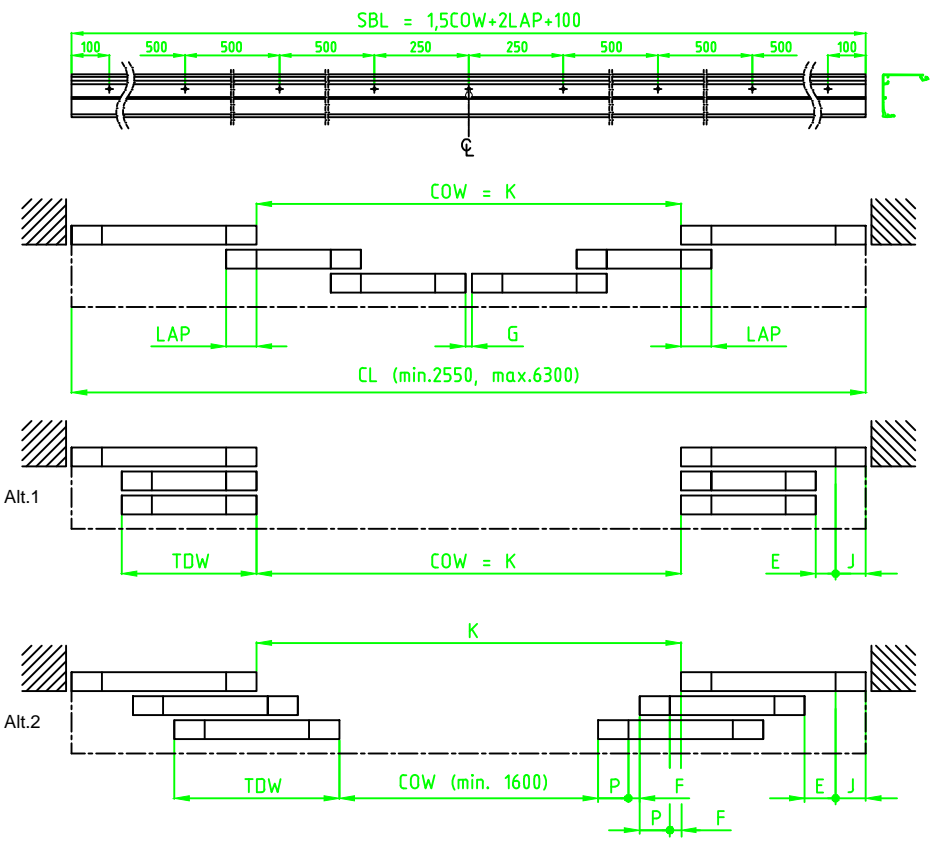
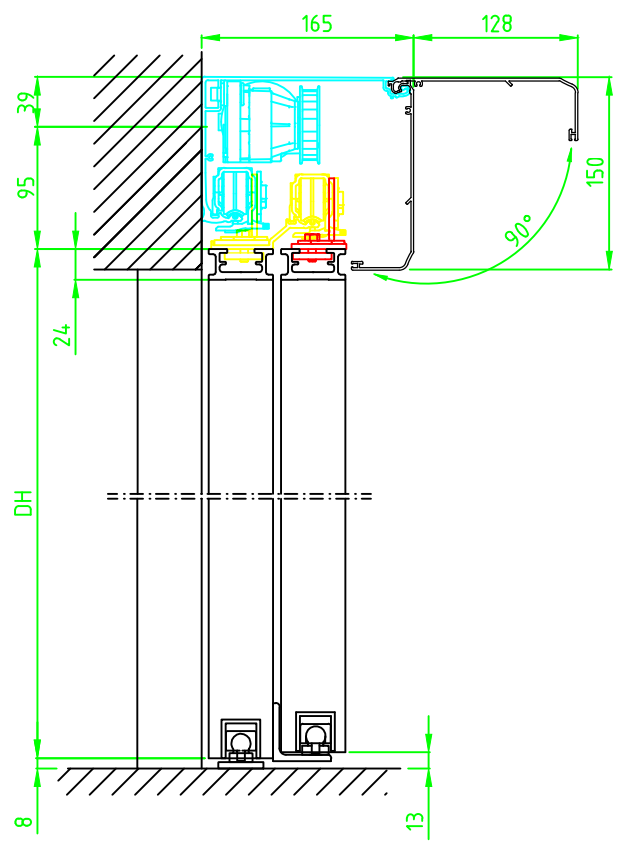


© All rights in and to this material are the sole property of ASSA ABLOY Entrance Systems AB. of the applicable company within ASSA ABLOY Entrance Systems AB. Rights reserved for changes without prior notice. Copying, scanning, alterations or modifications are expressly forbidden without the prior written consent.



STATE WHEN ORDERING

- COW = mm
- CL = mm
- SBL = mm
- LAP = mm
- G = mm
- TDW = mm

Surface treatment

- Silver anodized
- Special anodized
- RAL
- Special powder coating
-

	Alt.1	Alt.2	
Overlap (min. 20mm)	LAP	LAP x2 =
Finger protection (min. 25mm)	E	E x2 =
Finger protection (min. 25mm)	-	F x4 =
Jamb width (min. 30mm)	J	J x2 =
Leading edge width	-	P x4 =
Sum of above			Sum =

Alt.1 COW = K	K =	
Alt.2 COW + 4P + 4F = K	K =	(K + 4LAP) / 4 = TDW TDW =
Cover length CL	(CL - Sum) / 1,5 = = COW max.	
Door travel COW	(COW x1,5) + Sum = = CL min.	

Customer: _____

Door id: _____

Project No: _____

Ref: _____

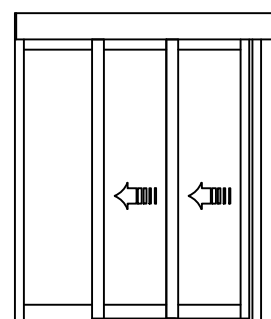
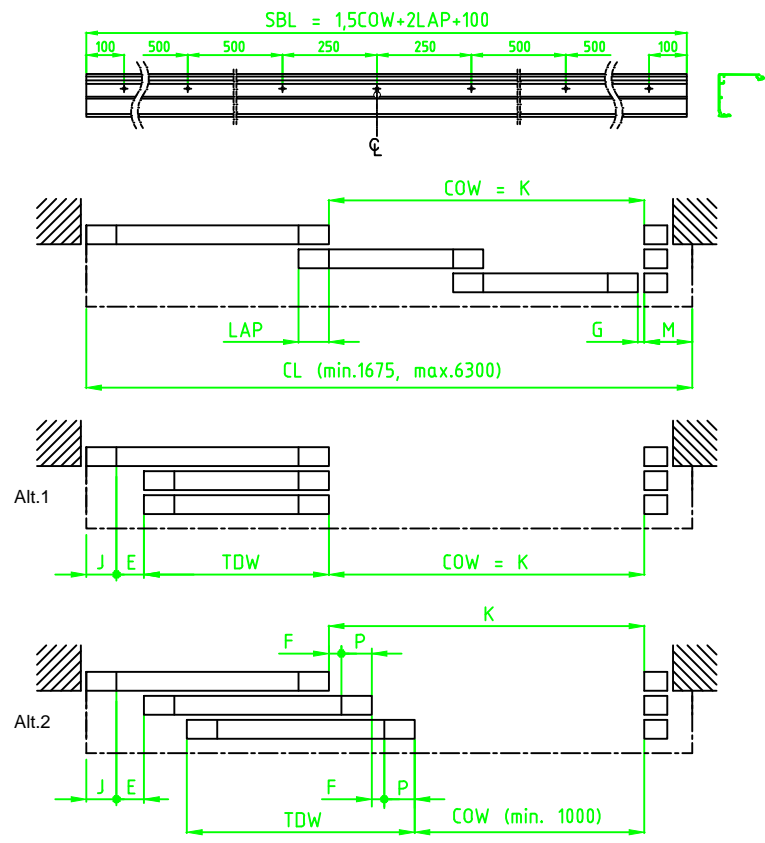
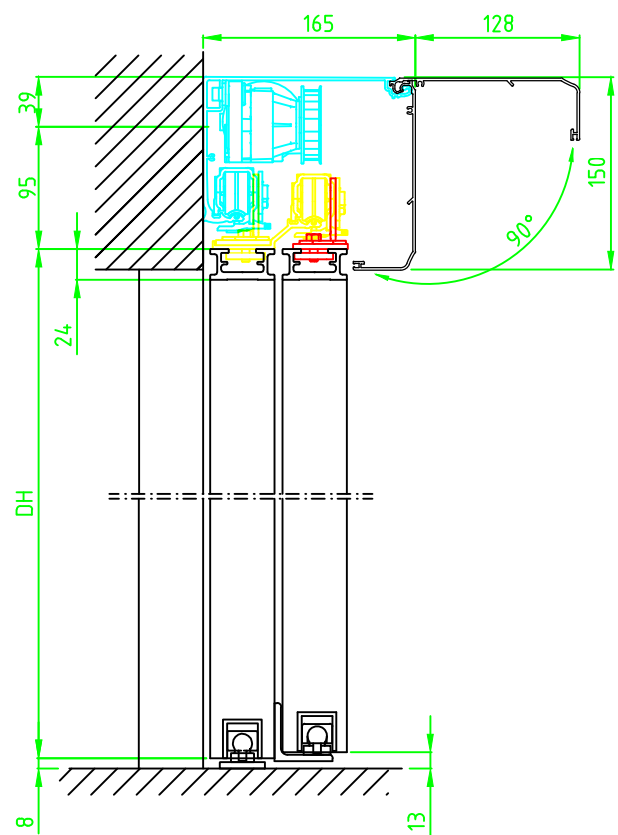
Date: _____

Sign: _____

Sliding door operator
 Besam SL500 T-2
 Art. No. 1009282

1.0
1010710

© All rights in and to this material are the sole property of ASSA ABLOY Entrance Systems AB. of the applicable company within ASSA ABLOY Entrance Systems AB. Rights reserved for changes without prior notice. Copying, scanning, alterations or modifications are expressly forbidden without the prior written consent



STATE WHEN ORDERING

- COW = mm
- CL = mm
- SBL = mm
- LAP = mm
- G = mm
- TDW = mm

Surface treatment

- Silver anodized
- Special anodized
- RAL
- Special powder coating
-

	Alt.1	Alt.2	
Overlap (min. 20mm)	LAP	LAP
Finger protection (min. 25mm)	E	E
Finger protection (min. 25mm)	-	Fx2=
Jamb width (min. 30mm)	J	J
Cover overlap (min. 100mm)	M	M
Leading edge width	-	Px2=
Sum of above	Sum =.....		

Alt.1 COW = K	K =		
Alt.2 COW + 2P + 2F = K	K =	(K + 2LAP) / 2 = TDW	TDW =
Cover length CL	(CL - Sum) / 1,5 = = COW max.		
Door travel COW	(COW x1,5) + Sum = = CL min.		

Customer: _____

Door id: _____

Project No: _____

Ref: _____

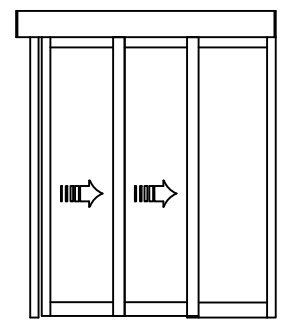
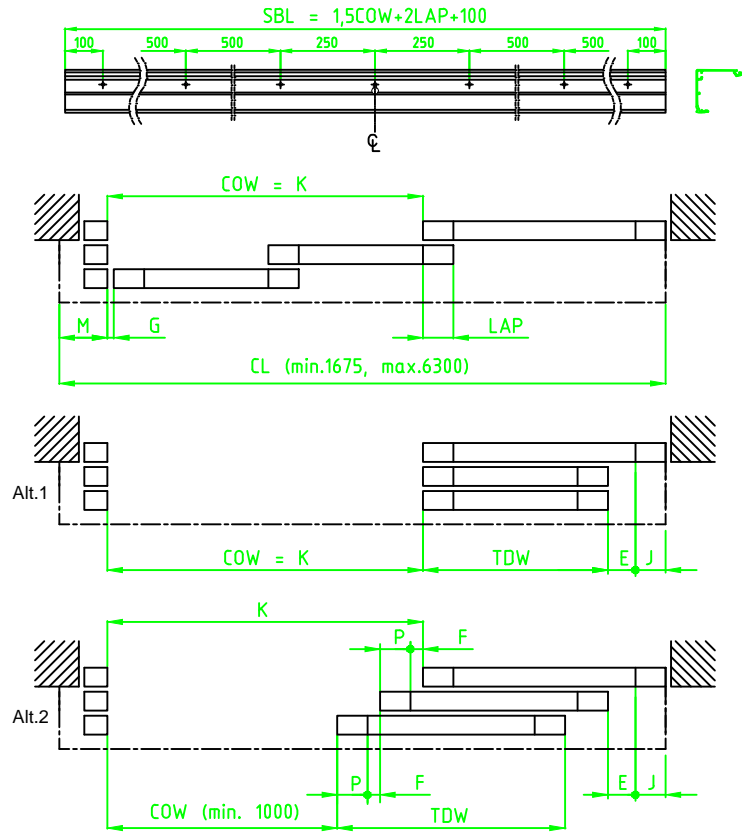
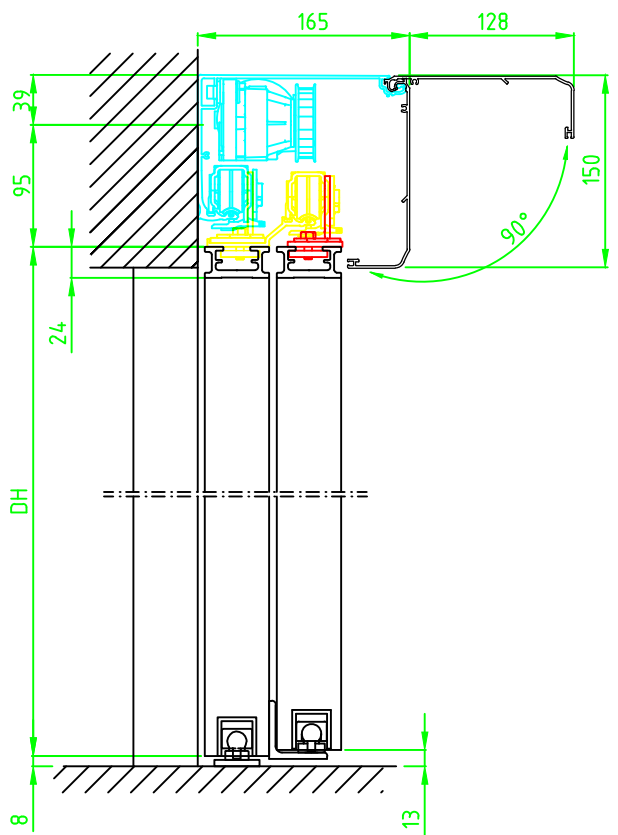
Date: _____

Sign: _____

Sliding door operator
 Besam SL500 T-L
 Art. No. 1009282

1.0
1010710

© All rights in and to this material are the sole property of ASSA ABLOY Entrance Systems AB. of the applicable company within ASSA ABLOY Entrance Systems AB. Rights reserved for changes without prior notice. Copying, scanning, alterations or modifications are expressly forbidden without the prior written consent



STATE WHEN ORDERING

- COW = mm
- CL = mm
- SBL = mm
- LAP = mm
- G = mm
- TDW = mm

Surface treatment

- Silver anodized
- Special anodized
- RAL
- Special powder coating
-

	Alt.1	Alt.2	
Overlap (min. 20mm)	LAP	LAP
Finger protection (min. 25mm)	E	E
Finger protection (min. 25mm)	-	Fx2=
Jamb width (min. 30mm)	J	J
Cover overlap (min. 100mm)	M	M
Leading edge width	-	Px2=
Sum of above	Sum =.....		

Alt.1 COW = K	K=	(K + 2LAP) / 2 = TDW	TDW =
Alt.2 COW + 2P + 2F = K	K=		
Cover length CL	(CL - Sum) / 1,5 = = COW max.		
Door travel COW	(COW x 1,5) + Sum = = CL min.		

Customer: _____

Door id: _____

Project No: _____

Ref: _____

Date: _____

Sign: _____

Sliding door operator
 Besam SL500 T-R
 Art. No. 1009282



1.0
1010710