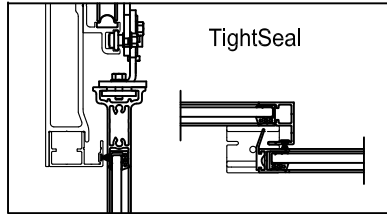
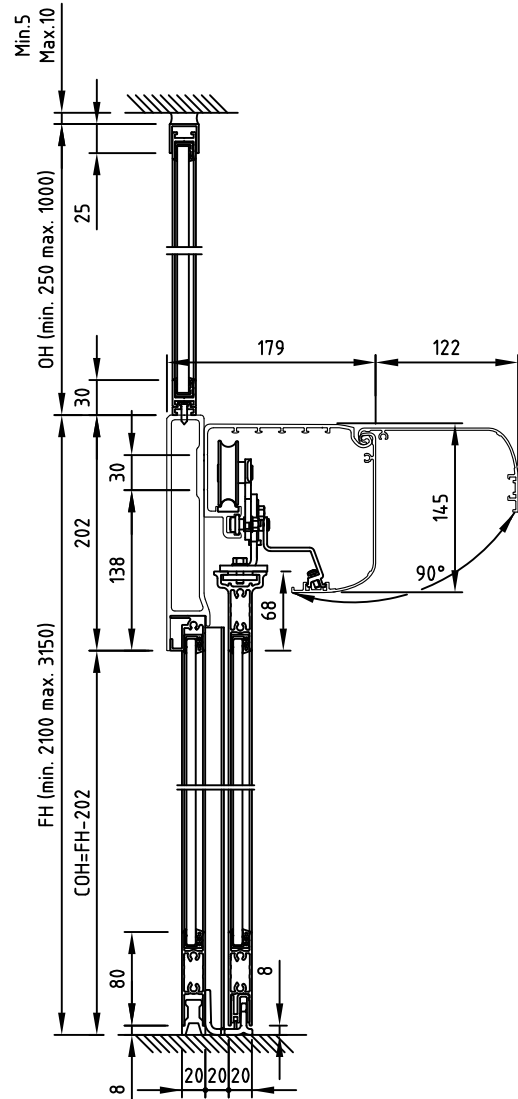


?All rights in and to this material are the sole property of ASSA ABLOY Entrance Systems AB. Rights reserved for changes without prior notice.  
 Copying, scanning, alterations or modifications are expressly forbidden without the prior written consent of the applicable company within ASSA ABLOY Entrance Systems AB.



**State when ordering**

- FW=.....mm
- FH=.....mm
- X=.....mm
- COW=.....mm
- COH=.....mm
- Cover
- CL=.....mm
- TightSeal

If TightSeal, the floor must be level and not differ more than ± 3 mm.

**Profile option**

- Alt. F (concrete/brick)
- Alt. U (aluminium/steel)

**Overlight**

- OW=.....mm
- OH=.....mm
- Overlight, one glass pane (OW=min 500, max 3000)
- Overlight, two glass panes (OW=min 1000, max 6000)
- Overlight, three glass panes (OW=min 1800, max 6000)

**Surface treatment**

- Silver anodized
- Special anodized.....
- RAL.....
- Special powder coating.....
- .....

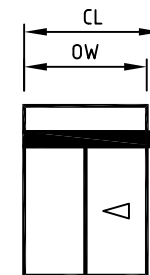
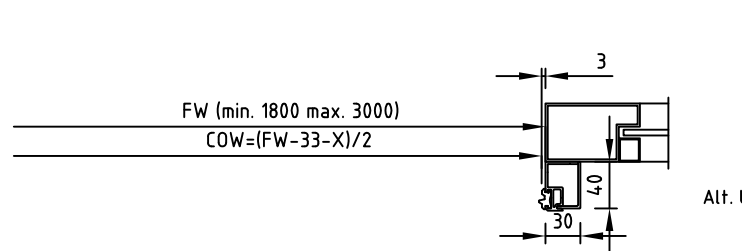
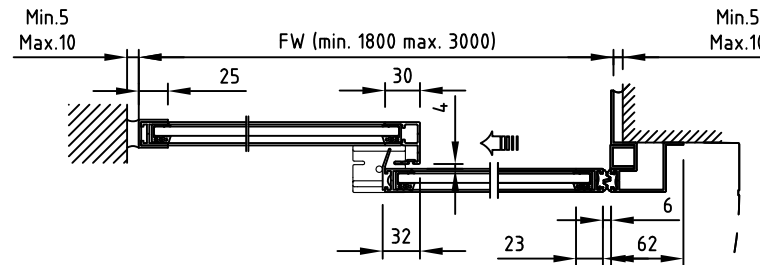
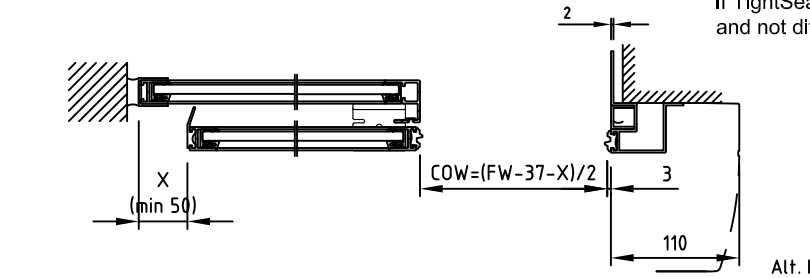
**Glass option see drw. 1009030**

State glass code:  
.....



**Installation**

- Floor heating
- Other .....



Scale 1:6

Customer:

Ref:

Door id:

Date:

Project No:

Sign:

**ADS Automatic door system**  
**Slim UniSlide**  
**2 Panel beam mounted (left opening shown)**  
**with overlight**

  
**5.0**     **1002634**