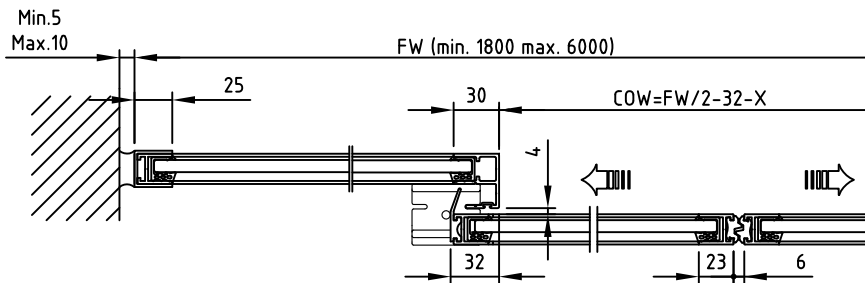
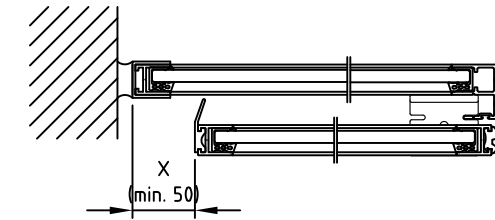
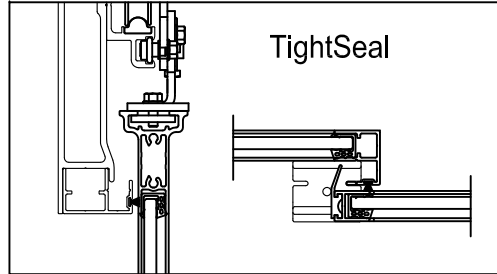
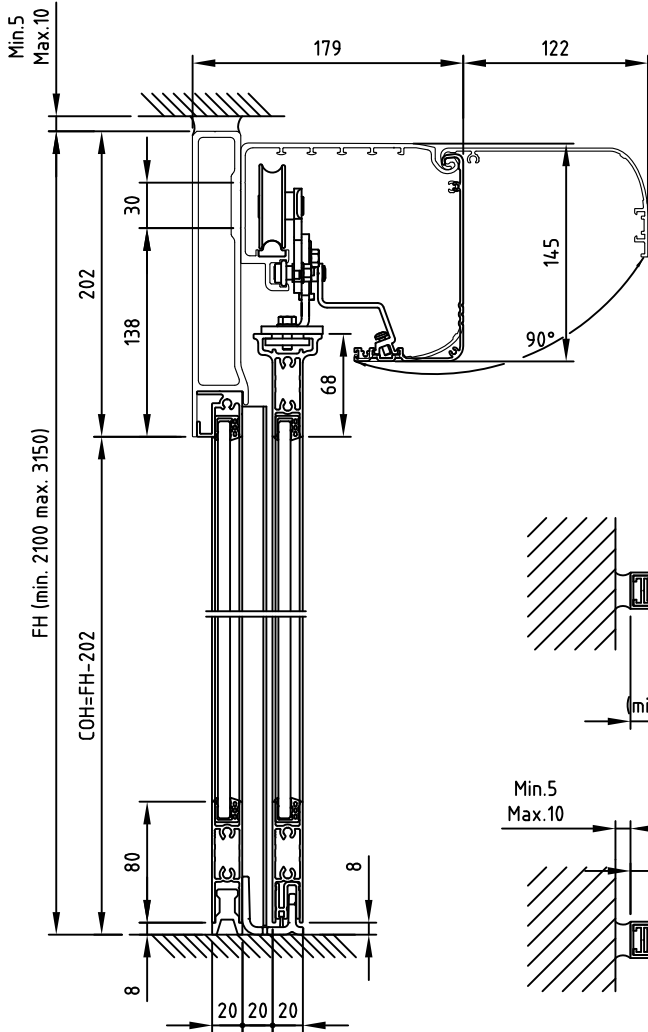


?All rights in and to this material are the sole property of ASSA ABLOY Entrance Systems AB. Rights reserved for changes without prior notice.  
 Copying, scanning, alterations or modifications are expressly forbidden without the prior written consent of the applicable company within ASSA ABLOY Entrance Systems AB.



State when ordering

- FW=.....mm
  - FH=.....mm
  - X= .....mm
  - COW=.....mm
  - COH=.....mm
  - Cover
  - CL=.....mm
  - TightSeal
- If TightSeal, the floor must be level and not differ more than ± 3 mm

Surface treatment

- Silver anodized
- Special anodized.....
- RAL.....
- Special powder coating.....
- .....

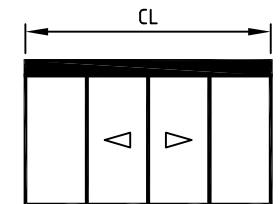
Glass option see drw. 1009030

State glass code:  
 .....  
 If 10 mm glass FW max. 5300 when FH=max.  
 If 12 mm glass FW max. 4500 when FH=max.



Installation

- Floor heating
- Other .....



Scale 1:5

Customer:

Ref:

Door id:

Date:

Project No:

Sign:

**ADS Automatic door system**  
**Slim UniSlide**  
**4 Panel beam mounted**  
**Article No. 800094**



7.0

832999