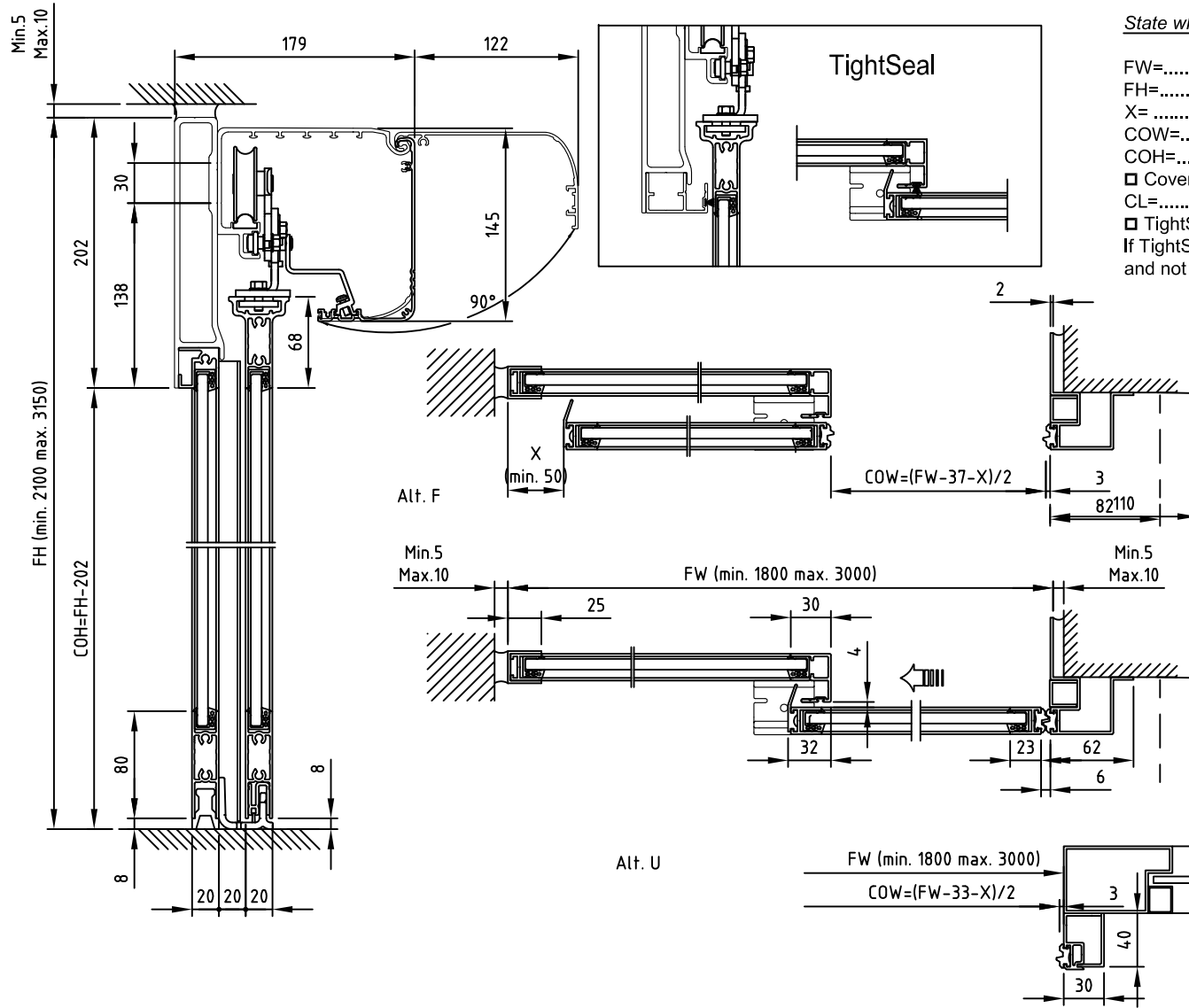


?All rights in and to this material are the sole property of ASSA ABLOY Entrance Systems AB. Rights reserved for changes without prior notice.
 Copying, scanning, alterations or modifications are expressly forbidden without the prior written consent of the applicable company within ASSA ABLOY Entrance Systems AB.



State when ordering

- FW=.....mm
- FH=.....mm
- X=.....mm
- COW=.....mm
- COH=.....mm
- Cover
- CL=.....mm
- TightSeal
- If TightSeal, the floor must be level and not differ more than ± 3 mm

Profile option

- Alt. F (concrete/brick)
- Alt. U (aluminium/steel)

Surface treatment

- Silver anodized
- Special anodized.....
- RAL.....
- Special powder coating.....
-

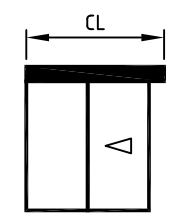
Glass option see drw. 1009030

State glass code:
.....



Installation

- Floor heating
- Other



Scale 1:5

Customer:	Ref:
Door id:	Date:
Project No:	Sign:

ADS Automatic door system
Slim UniSlide
2 Panel beam mounted opening left
Article No. 800095

7.0

833000