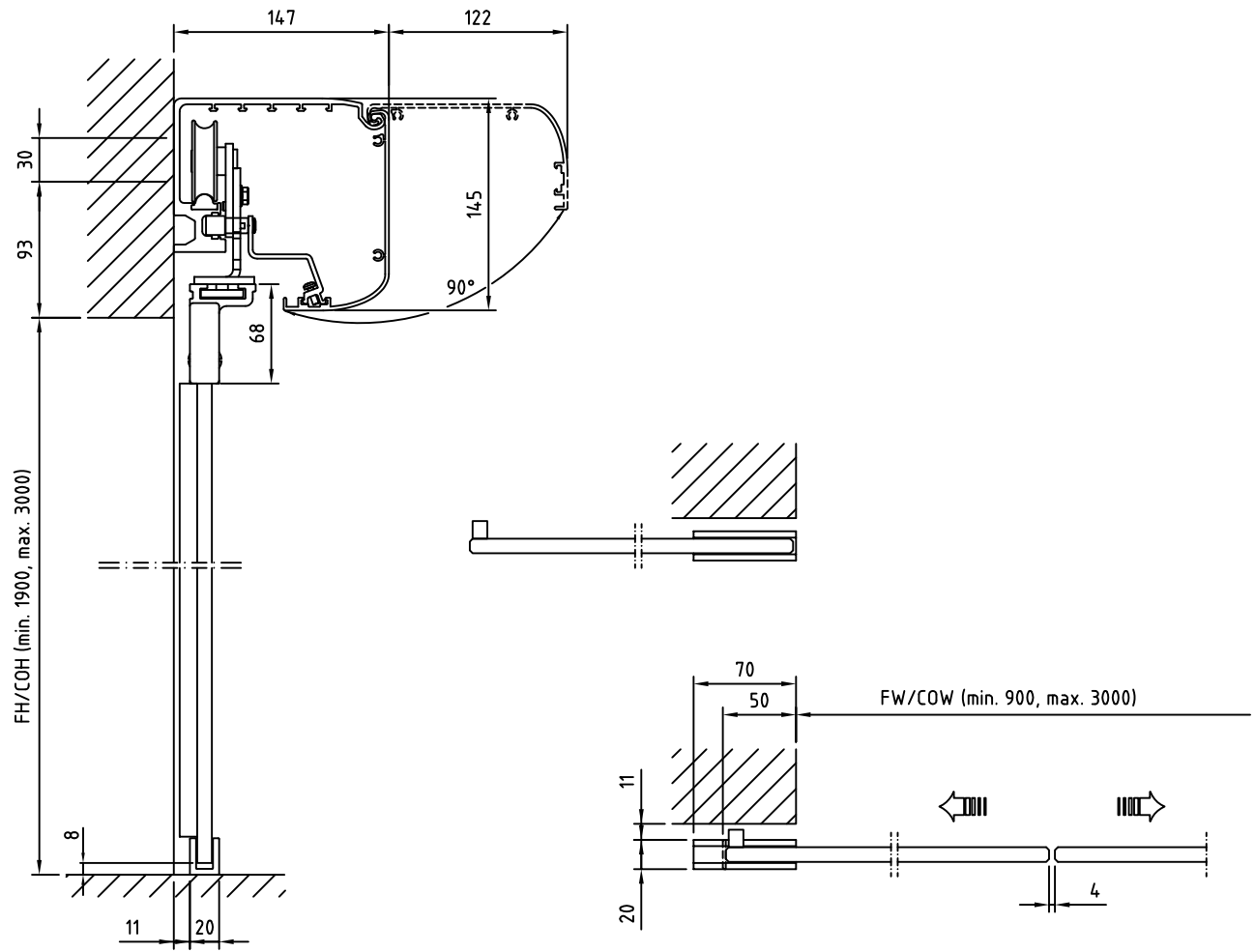


© All rights in and to this material are the sole property of ASSA ABLOY Entrance Systems AB. Rights reserved for changes without prior notice. Copying, scanning, alterations or modifications are expressly forbidden without the prior written consent of the applicable company within ASSA ABLOY Entrance Systems AB.



State when ordering

- FW=.....mm
- FH=.....mm
- COW=.....mm
- COH=.....mm
- Cover
- CL=.....mm

Surface treatment

- Silver anodized
- Special anodized.....
- RAL.....
- Special powder coating.....
-

Glass

- 10 mm tempered glass (FW=max, 2520 when FH=max)
- 10 mm laminated glass (FW=max, 2520 when FH=max)
- No glass

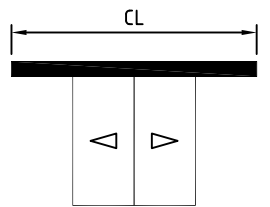
Lock

- Floor lock Euro 1-way
- Floor lock Euro 2-way



Installation

- Floor heating
- Other.....



Scale 1:5

Customer: _____

Door id: _____

Project No: _____

Besam ref: _____

Date: _____

Sign: _____

ADS Automatic door system
Transparent UniSlide
2 Panel wall mounted
Article No. 800327

4
1000033